

PACIFICA SPECIFICATIONS

RANGE

Pacifica seating systems offer numerous configurations allowing for customization and easy arrangement. Units can be configured back-to-back with connectors or combined to form continuous rows. Tables, armrest and seats can be positioned along the beam to meet any architectural layout. Planters and trash receptacles are available to enhance any interior design.

FRAME

The high quality durable legs and frame supports are made from die cast aluminum. The legs are designed to provide an open style for easy maintenance and cleaning under the unit. Support beams are heavy gage square tubular steel and allow for easy attachment of legs, seat frames, tables and armrests wherever required along the beam. For back-to-back mounting, there are oval struts connecting the legs to maintain a systematic layout. Height adjustment of up to 20 mm (0.75 in) on each leg allows for easy leveling. The frame is finished using a baked acrylic powder coating. Standard Colour - Metallic Silver

SEAT

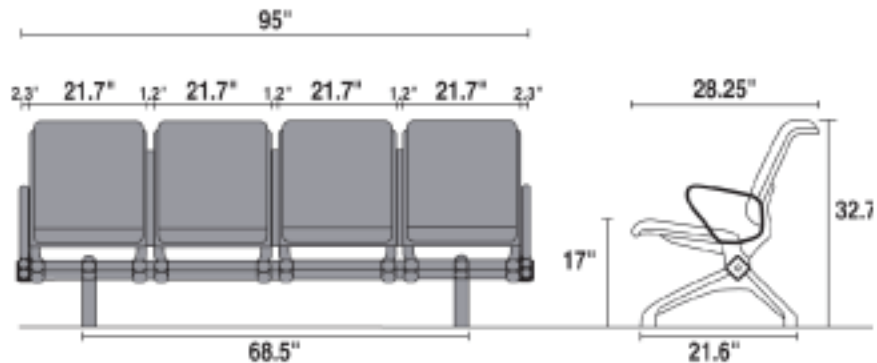
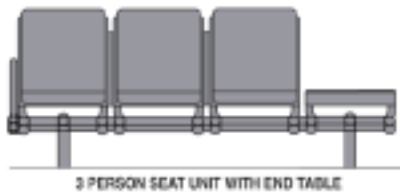
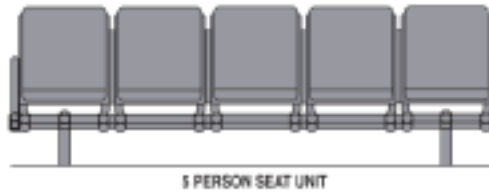
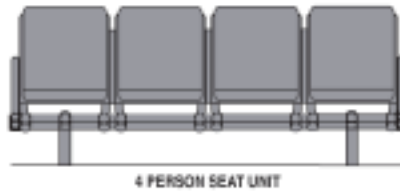
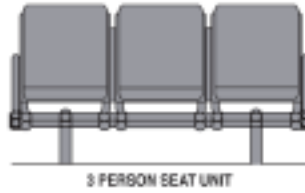
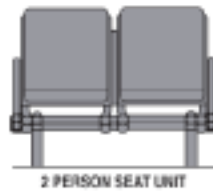
The seat frame is oval steel tube welded to the seat and back. The seat and back is formed perforated steel plate with a triangular pattern formed with curves for added comfort and rounded corners. The seat and back are finished with powder coating. Standard Colour - Silver Grey

ARMS

The armrests are designed to be compact and comfortable. Standard Colour - Metallic Silver

TABLES

Tabletops are supplied in either perforated steel to match the seat and back or laminated melamine table tops with waterproof and stain resistant properties. All tabletops are customized to order.



AIRPORT SEATING ALLIANCE

a Garavelli Enterprises, Inc. Company

813 Ridge Lake Blvd. • Suite 401 • Memphis, TN 38120 USA

1-901-685-8263 • Fax: 1-901-683-6745 • Email: info@airportseatingalliance.com • <http://www.airportseatingalliance.com>